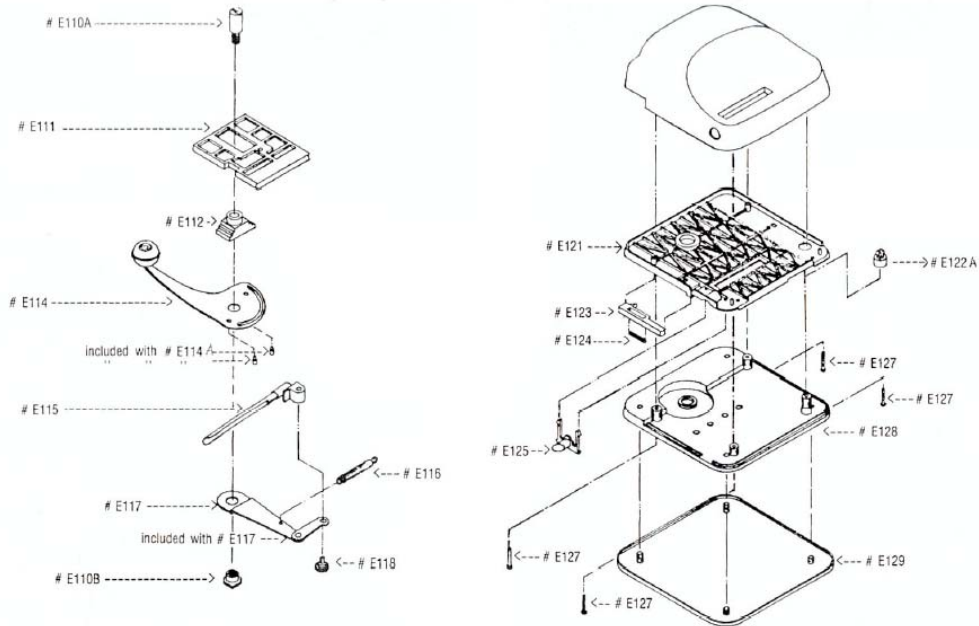




Excel

Parts • Pièces • Repuestos



EXCEL

Qty	Part No	Description	Price	Amount		Qty	Part No	Description	Price	Amount	
	E-110A	Shaft	\$ 1.40				E-118	Spoon Screw	\$.85		
	E-110B	Shaft Nut	\$.90				E-121	Plain Chassis	\$ 1.75		
	E-111	Cutter	\$ 4.40				E-122A	Spoon Stopper	\$.55		
	E-112	Bushing	\$.45				E-123	Tube Holder	\$.45		
	E-114	Handle	\$ 2.85				E-124	Small Spring	\$.30		
	E-115	Spoon	\$ 1.40				E-125	Nozzle	\$.90		
	E-116	Big Spring	\$.90				E-127	Base Screw	\$.30		
	E-117	Spoon Lever	\$ 1.45				E-129	Rubber Base	\$ 2.20		
SUBTOTAL 1							SUBTOTAL 2				

Payment: Check Enclosed \$ _____
 Money order
 Credit Card

Shipping & Handling **\$5.00**
 Subtotal 1+2+ S & H _____
 NY State Sales Tax for NY State Residents _____ **8%**
GRAND TOTAL AMOUNT: _____

Major Credit Cards accepted:
 American Express, Visa, MasterCard, Discover.
 Card #: _____ Exp. date _____

Please print:
 Name: Mr./Mrs./Ms.: _____
 Street: _____
 City: _____

Order date: _____
 Phone: _____
 State: _____
 Zip: _____

Please be sure to include \$5.00 Return Shipping & Handling (per Machine) for parts orders, warranty, and non-warranty repairs. Send your parts orders or machine itself to ARBRO service center.

United States **ARBRO Inc.**
1881 Main St
Keeseville, NY 12944
 E-mail: info@arbroinc.com

Tel: (518) 834-3038 Fax (518) 834-1532
www.ARBROINC.com