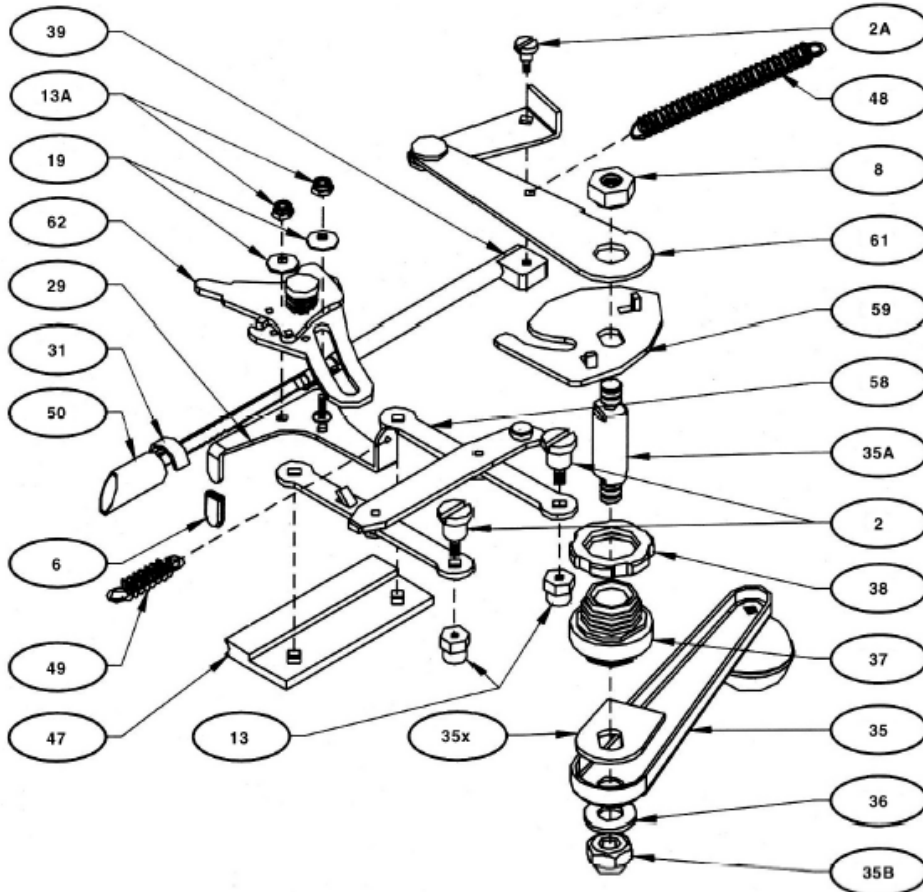




Supermatic®

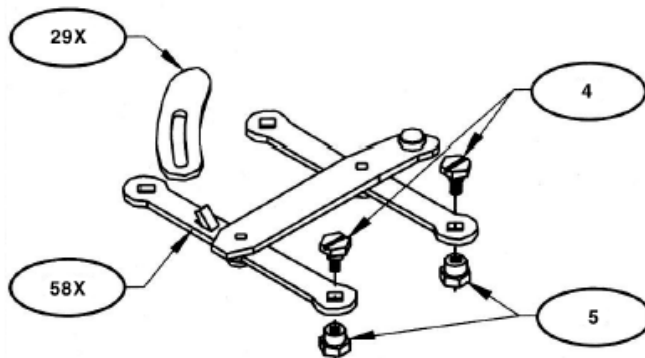
Parts • Pièces • Partes



Supermatic / Supermatic II	
Description	Part No.
H Link Screw	2
Spoon Screw	2A
Universal Rubber Tip	6
Nut	8
H Link Nut	13
Small Nut	13A
Universal Washer	19
Tube Holder	29
Nozzle Clip	*31
Handle	35
Shaft	35A
Universal Capped Nut	35B
Shaft Washer	35X
Universal Large Washer	36
Bushing	37
Bushing Nut	38
Universal Spoon	39
Cutter	47
Large Spring	48
Small Spring	49
Universal Nozzle	50
H Link	58
Cam	59
Spoon Lever	61
Size Selector	*62
Parts Not Illustrated Pièces non-illustrées Partes no ilustradas	
Universal Rivet	7
Rubber Base	*80
*Supermatic Specific	

Supermatic® II

Only • Seulement • Solamente



Supermatic II (specific)	
Description	Part No.
H Link Screw	4
H Link Nut	5
Release Adjuster	29X
H Link	58X
Parts Not Illustrated Pièces non-illustrées Partes no ilustradas	
Universal Rivet	7
Rubber Foot	81

