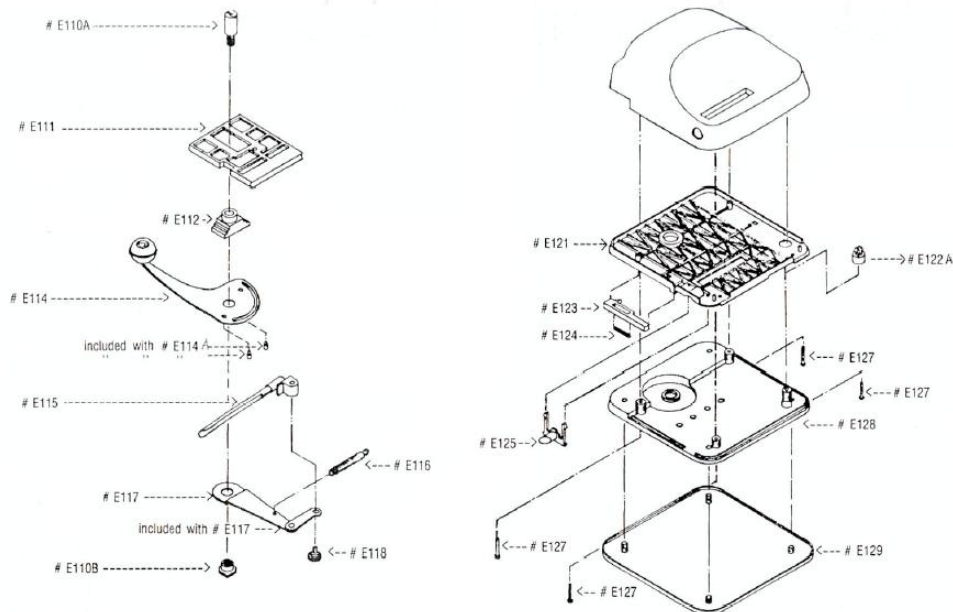




Excel

Parts • Pièces • Repuestos



EXCEL

Qty	Part No	Description	Price*	Amount		Qty	Part No	Description	Price*	Amount
	E-110A	Shaft	1.70				E-118	Spoon Screw	1.05	
	E-110B	Shaft Nut	1.10				E-121	Plain Chassis	1.75	
	E-111	Cutter	5.30				E-122A	Spoon Stopper	.65	
	E-112	Bushing	.55				E-123	Tube Holder	.55	
	E-114	Handle	3.45				E-124	Small Spring	.40	
	E-115	Spoon	1.70				E-125	Nozzle	1.10	
	E-116	Big Spring	1.10				E-127	Base Screw	.40	
	E-117	Spoon Lever	1.75				E-129	Rubber Base	2.65	
SUBTOTAL 1						SUBTOTAL 2				

* Please call or go to our on-line site for current parts pricing. www.arbroinc.com or 518-834-3038

Payment: Check Enclosed \$ _____
 Money order
 Credit Card

Shipping & Handling **\$ 7.00**
 Subtotal 1+2+ S & H _____
 NY State Sales Tax for NY State Residents _____ **8%**

Major Credit Cards accepted:
 American Express, Visa, MasterCard, Discover.
 Card #: _____ Exp. date _____

GRAND TOTAL AMOUNT: _____

Please print:
 Name: Mr./Mrs./Ms.: _____
 Street: _____
 City: _____

Order date: _____
 Phone: _____
 State: _____
 Zip: _____

Please be sure to include \$7.00 Shipping & Handling for parts orders

United States
 ARBRO Inc.
 1881 Main St
 Keeseville, NY 12944

E-mail: info@arbroinc.com

www.ARBROinc.com

Tel: (518) 834-3038

Fax (518) 834-1532